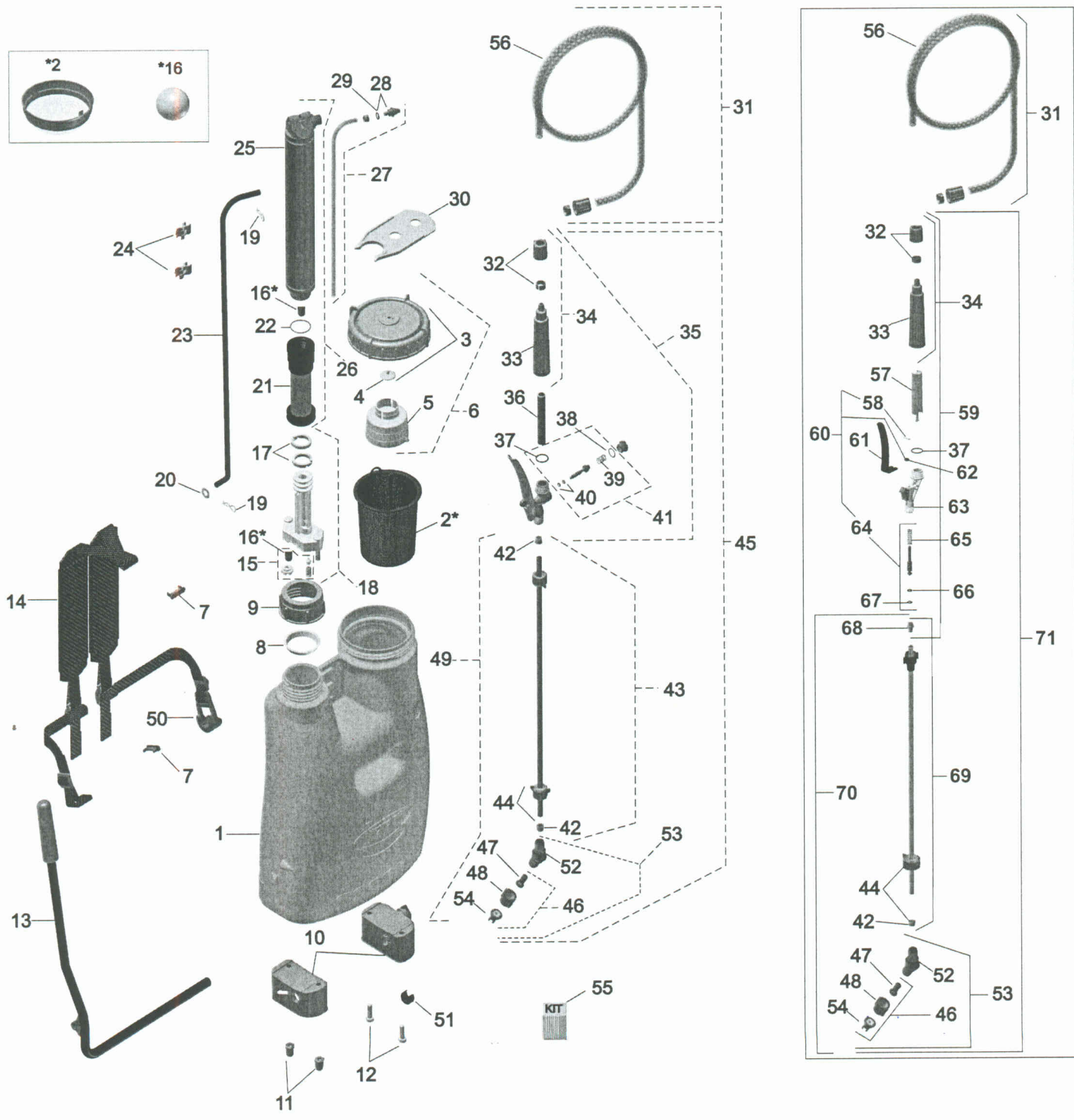


KNAPSACK SPRAYER PRO - 12ℓ



CODES: ORANGE (WITH S6 VALVE) - 0453.00
 ORANGE (WITH S3 VALVE) - 0453.10
 WHITE - 0454.00



PRODUCT
 AGRICULTURE AND
 ENVIRONMENTAL
 HEALTH

| ITEM | DESCRIPTION | CODE | PCS/ PACKING |
|------|---|-------|-----------------|
| 1 | Orange 12 litre chemical tank | 10760 | 1 |
| | White 12 litre chemical tank | 10855 | 1 |
| 2 | Tank filter | 7563 | 1 |
| | Tank sieve - PRO health | 4424 | 1 |
| 3 | Tank lid with valve | 8112 | 1 |
| 4 | Valve diaphragm | 5613 | 6 |
| 5 | Dosing cup | 10075 | 1 |
| 6 | Complete tank lid set | 10860 | 1 |
| 7 | Harness clips | 6457 | 10 |
| 8 | Plastic gasket | 1649 | 4 |
| 9 | Gasket securing nut | 1089 | 2 |
| 10 | Right/left frame | 10861 | 1 |
| 11 | Frame securing nut | 5852 | 4 |
| 12 | Hexagonal screw M8x40 | 5949 | 4 |
| 13 | "L" lever with hand grip | 10862 | 1 |
| 14 | Complete harness assembly | 10172 | 1 |
| 15 | Set of cylinder valves - agricultural | 4647 | 1 |
| | Set of cylinder valves - health | 10863 | 1 |
| 16 | Semi spherical valve - agricultural | 5066 | 10 |
| | Ball valve - health | 10857 | 5 |
| 17 | Expansion sealing rings | 10858 | 4 |
| 18 | Complete PCA rod - agricultural | 10864 | 1 |
| | Complete PCA rod - health | 10997 | 1 |
| 19 | Clip | 3000 | 6 |
| 20 | Flat washer | 1038 | 20 |
| 21 | Metallic cylinder | 9688 | 1 |
| 22 | O-ring | 6715 | 1 |
| 23 | Pumping arm | 10171 | 1 |
| 24 | Pump arm locking clip | 6349 | 6 |
| 25 | Pressure vessel | 4671 | 1 |
| 26 | Comp. pressure vessel assembly - agricultural | 10865 | 1 |
| | Comp. pressure vessel assembly - health | 10998 | 1 |
| 27 | Suction tube assembly | 4423 | 1 |
| 28 | Suction Tube spigot and O-ring | 8119 | 1 |
| 29 | O-ring | 6216 | 10 |
| 30 | Mixer | 2998 | 5 |
| 31 | Hose connections | 4427 | 1 |
| 32 | Screw threaded bushing | 4428 | 2 |
| 33 | Cable valve | 6081 | 1 |
| 34 | Valve cable and discharge set | 4426 | 1 |
| 35 | Discharge S6 valve | 8145 | 1 |
| 36 | Cable filter | 7852 | 1 |
| 37 | O-ring | 6316 | 1 |
| 38 | O-ring | 7600 | 1 |
| 39 | Spring | 7851 | 1 |

| ITEM | DESCRIPTION | CODE | PCS/ PACKING |
|------|---|-------|-----------------|
| 40 | O-ring | 7245 | 2 |
| 41 | S6 Valve service kit | 10064 | 1 |
| 42 | Threaded bush for discharge tube | 6203 | 10 |
| 43 | Discharge tube w/threaded coupling - PRO health | 10869 | 1 |
| 44 | Threaded coupling for lance tubing | 10738 | 4 |
| 45 | Discharge assembly - agricultural | 10870 | 1 |
| | Discharge assembly - health | 10871 | 1 |
| 46 | Complete tip assembly - agricultural | 10872 | 1 |
| | Complete tip assembly - health | 10873 | 1 |
| 47 | Filter mesh 50 | 5590 | 12 |
| 48 | Nut | 3441 | 4 |
| 49 | Complete lance set - agricultural | 10874 | 1 |
| | Complete lance set - health | 10875 | 1 |
| 50 | Quick release/coupling buckle | 10609 | 2 |
| 51 | Lever locking device | 2812 | 10 |
| 52 | Elbow joint | 10602 | 1 |
| 53 | Complete elbow joint set - agricultural | 10876 | 1 |
| | Curved tip complete - health | 10877 | 1 |
| 54 | Tip - agricultural | 5588 | 12 |
| | Tip - health | 6436 | 12 |
| 55 | Service kit (ONLY FOR PRO HEALTH) | 10878 | 1 |
| 56 | Hose 8 x 1300 mm | 2321 | 1 |
| 57 | Filter | 6270 | 10 |
| 58 | Split pin | 2805 | 10 |
| 59 | Discharge S3 valve | 4320 | 1 |
| 60 | Complete needle valve assembly with split pin | 8142 | 1 |
| 61 | S3 valve control | 6118 | 5 |
| 62 | Valve lever retainer | 2804 | 5 |
| 63 | S3 suply valve | 9429 | 2 |
| 64 | Complete needle valve assembly | 8114 | 1 |
| 65 | Spring | 6452 | 2 |
| 66 | O-ring | 1455 | 10 |
| 67 | O-ring | 2739 | 10 |
| 68 | Lance seal | 9320 | 6 |
| 69 | Lance tube with nut | 10704 | 1 |
| 70 | Complete lance set - S3 valve - 12ℓ | 11214 | 1 |
| 71 | Discharge assembly - S3 valve - 12ℓ | 11236 | 1 |

***Component service kit - PRO HEALTH**

| | |
|------------------------------|-------|
| Fully adjustable nozzle | 8118 |
| Expansion sealing ring | 10858 |
| Valve diaphragm | 5613 |
| Valve seat | 6117 |
| Relief valve | 6711 |
| Clip | 3000 |
| Gasket seal | 6313 |
| Screw threaded securing bush | 6203 |