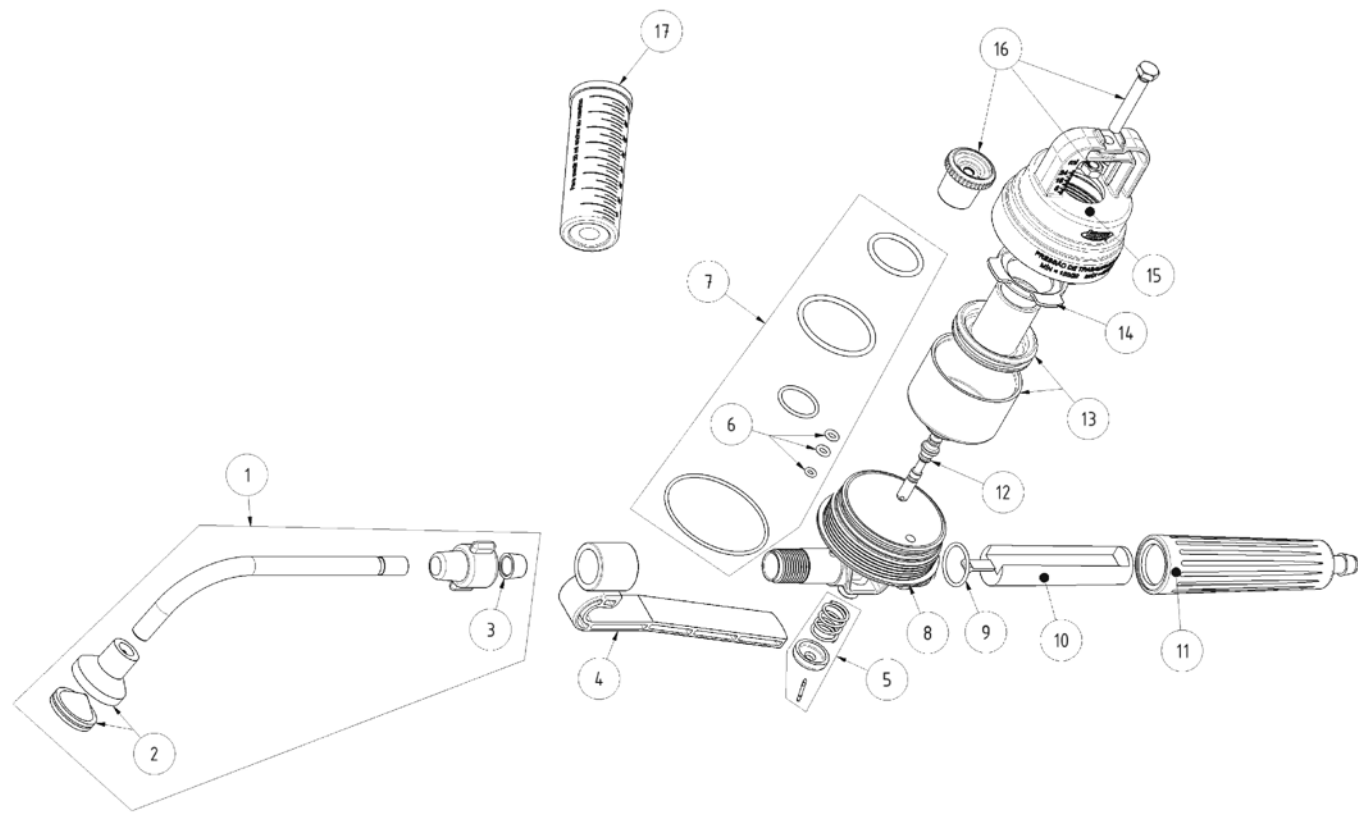


Dosimeter Valve



Other information: see Technical Bulletin 1196-04

Items not Included

Description	Code
Discharge Pipe (0,45m)	4646
Discharge Pipe (0,9m)	8098
Discharge Pipe (1,2m)	8099
Boom with 306° Swivel Nozzle	4750

Attachment for Symmetrical Knapsack Sprayer and Compression Sprayer.

The Dosimeter need to be connected to the discharge hose of symmetrical knapsack sprayer or compression sprayer, whose maximum pressure is 600 KPa (87 psi), and with hoses with 8 until 10 diameter.

Codes: 8018.00 (with applicator pipe)
8096.00 (without applicator pipe)

Guarany

ITEM	DESCRIPTION	CODE	PART/ PACK	ITEM	DESCRIPTION	CODE	PART/ PACK
1	Complete Applicator Pipe	8066	1				
2	Applicator Nozzle	8067	1				
3	Bush to Fix the Discharge	6203	10				
4	Valve Lever	5197	1				
5	Spring (Kit)	8068	1				
6	O-ring of Needle	8069	1				
7	O-ring of Valve	8070	1				
8	Dosimeter Body (kit)	8071	1				
9	O-ring	6316	6				
10	Valve Filter	6270	10				
11	Dosimeter Handle	2389	1				
12	Dosimeter Needle	7213	1				
13	Dosimeter's Cylinder and Piston	8072	1				
14	O-ring Dosimeter Retainer	7225	1				
15	Superior Lid (kit)	8073	1				
16	Complete Adjustable Button	8074	1				
17	Dosimeter Bottle	7268	1				