

FLEXIBLE BACKPACK EXTINGUISHER 21ℓ

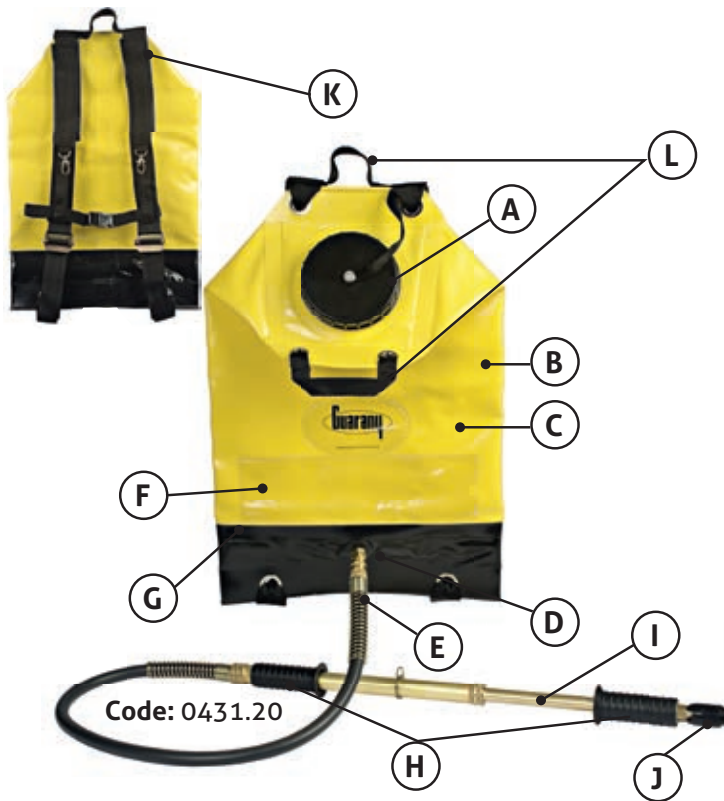
Designed to fight forest fires, for direct fire-fighting and mop-up.

Ideal for:

- Roadside fire fighting;
- Fighting forest fires in difficult terrain;
- Farm fire fighting (see farm kit, code 0474.00);
- Building of humid fire breaks (drip torch, code 0432.00).

Features:

- Allows the operator to work with the left or right hand;
- Allows the application of foam retardant (see air aspirating foam nozzle, code 4232);
- Easy maintenance does not require special tools.



- (A) Large 110 mm screw cap inlet for easy filling.
- (B) Highly resistant thermo-welded PVC flexible tank.
- (C) New and ergonomic design. Fits perfectly operator back and eases filling due to its "envelope" shape, allowing to have the inlet device in a horizontal position.
- (D) Instantaneous brass quick release outlet coupling with stop valve.
- (E) Metal coil protector to hose ends.
- (F) Sealed transparent large identification sleeve.
- (G) Exterior double reinforced lower section strengthened back support.
- (H) Double handgrip sleeves for easier pump action.
- (I) Hand-pump clip & eyelet for easy transportation.
- (J) Superior quality brass regulating nozzle with high impact resistant protector that eases handling with gloves.
- (K) Adjustable nylon padded hardwearing shoulder harness & chest straps.
- (L) Transport and auxiliary handles for refilling.

MAINTENANCE: DO IT YOURSELF

FAULT	CAUSE	SOLUTION
The pump is not aspirating water	Hose clogged	Clean
	Ball of the valve (item 9) entrance locked.	Loosen
	Loss of the ball of the valve.	Replace
The pump does not have pressure	Exit valve blocked (item 14)	Loosen / clean
The pump pressurizes but water does not come out through the nozzle	Obstructed nozzle for residues or dirt (item 21)	Clean / change
	Obstructed exit valve (item 14)	Clean / change
There is no control of the water coming out through the nozzle	Nozzle locked (item 23)	Loosen / lubricate
	Residue or dirt at the nozzle cap (item 23)	Clean / change
Pump with hard movement	Lack of lubrication in the piston rod (item 17)	Clean / lubricate
Leaking from the coupling (membrane) of the backpack	Residue, dirt or wear at the rubber seal of the coupling (item 3)	Clean / change
Leaking from the backpack	Holes in the backpack (item 1) caused by sharp stones or branches	Use the repair kit (optional)
	Loose quick release coupling (item 3)	Tighten
Leaking from the front part of the pump	Dirt or residue in exit valve (item 14)	Clean
	Wear in the seals set (item 15)	Change
	Loose Nut (item 16)	Tighten
Leaking from the back part of the pump	Valve cap loose (item 8)	Tighten
Leaking from the quick release outlet coupling	Loose connector	Tighten-holding inside of the connector
	Connector stripped (item 3)	Change

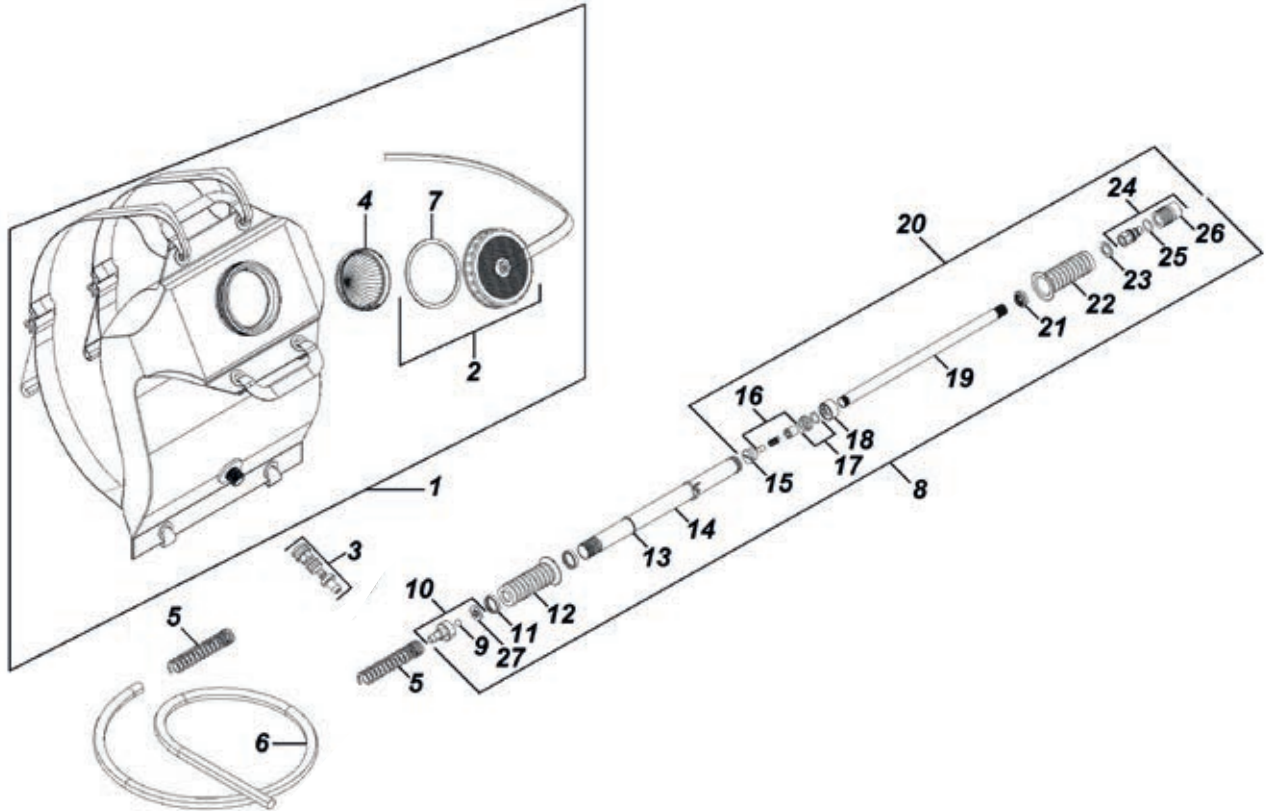
ACCESSORIES (optional)

Air-aspirating foam nozzle.....	code 4232
Short term forest fire retardant compound	code 0465.01
Flexible backpack repair kit	code 4720

TECHNICAL SPECIFICATION

Total tank capacity..... 21L (5,5 gal)	Water jet reach*..... 12 m (39')
Useful tank capacity..... 19L(5,0 gal)	Flow rate jet maximum*..... 4,2L/min (1,1 gal/min)
Water filling inlet..... 110 mm (4,3")	Net weig..... 3,3kg (7,2 lb)
Material of the tank..... PVC	Packaging..... 465x215x165 mm (18,3"x8,5"x6,5")
Liquid spray reach*..... 3 m	

* approximate values, could vary according to the adsditive to be applied and how it is used.



Important: Read carefully the instructions of this technical bulletin and the label of the chemical retardant before using this equipment.

Attention with chemical additives!

This equipment was designed to apply water and recommended chemical retardants for small fires. To use any other product, request manufacturer's information because some products may cause irreparable damage.

Assembling and instructions for use:

This product is delivered partially assembled. To get the best performance, follow closely the instructions below:

1. Remove the adhesive tape and the plastic protection cap from the lower section of the hand-pump (item 14).
2. Connect the female screw (item 10) end of the hose to the lower section of the pump (item 14).
3. Connect the other end to the quick release outlet coupling (item 3).
4. Put on the empty backpack, adjusting the carrying straps through the adjustable buckles for individual comfort. To adjust them, pull the straps downwards or release the catch upwards.
5. Fill the tank (backpack) pouring the water through the inlet filter.
6. The pump should be operated slowly at between 25 to 30 strokes per minute.
7. Final adjustment to the carrying straps should be made.

NOTE: For the use of chemical retardant (foam), ask for the air aspirating foam nozzle (Code 4232) indicated for this use.

Item	Description	Code	Pieces per Packing
1	Flexible backpack - 19L	6769	1
2	Cap with retaining cord	4744	1
3	Brass quick release outlet coupling	6718	1
4	Filter	4424	1
5	Metal coil protector to hose-ends	5063	2
6	Hose	1742	1
7	Gasket	1128	2
8	Complete pump	4715	1
9	Ball	1138	2
10	Complete inlet valve kit	4716	1
11	Lower flange nut	6717	2
12	Lower handgrip sleeve	6735	1
13	O-ring	6348	10
14	Cylinder	4717	1
15	Piston	1724	1
16	Complete valve	4713	1
17	Piston seal set	4718	1
18	Guide nut	1723	1
19	Piston rod	7229	1
20	Complete pump rod	4916	1
21	Upper flange nut	7227	2
22	Upper handgrip sleeve	1721	1
23	Handgrip fixing washer	7239	4
24	Complete adjustable nozzle	4745	1
25	O-ring	2722	6
26	Adjustable nozzle cap orifice	7228	1
27	Retainer	1729	4

Guarany Indústria e Comércio Ltda.
Rod. Waldomiro Corrêa de Camargo, Km 56,5
CEP: 13308-200 – Itu – SP – Brasil

☎ +55 (11) 2118-8400 ✉ export@guaranyind.com.br
www.guaranyind.com.br



Guarany
Tradition and Innovation