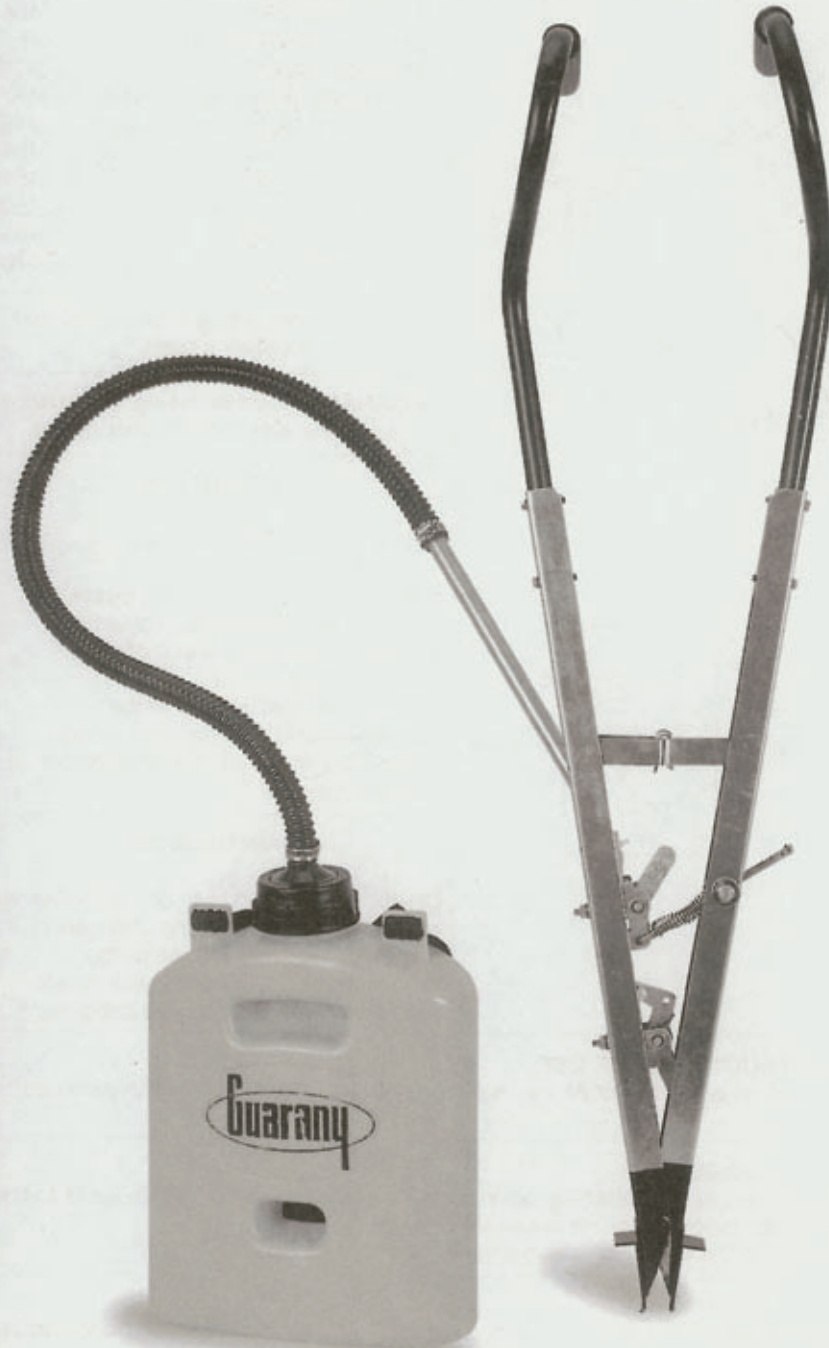


MANUAL GRANULAR APPLICATOR - CODE 472-00



IMPORTANT: Carefully read the instructions in this Technical Bulletin as well as those in label of the agrochemical product before using this machine.

This machine makes it possible to **dosify** and to **inject** into the soil accurate dosages (between 3 and 18 g.*) of granulated products widely used in plantations of coffee (nematoids control), banana, citrus and others. It avoids a direct contact with the chemical product, as well as any wastes and the environment contamination. We quote some granulated formulations for your ready reference: Baysiston®, Temik®, Lorsban®, Furadan®, Granutox®, Counter®, Alto GR®, Alto Mix®, etc., registered trademarks® of Bayer, Aventis, Dow AgroSciences, FMC, Cyanamid, Novartis, respectively.

Safety: it was designed to reduce intoxications problems (human and animal like) as the operator has no direct contact with the agrochemical, which is injected (5cm*) into the soil (ground).

Dosage: high-resistance, accurate mechanism specially designed for plantations where tight control of granulated agrochemicals is desired.

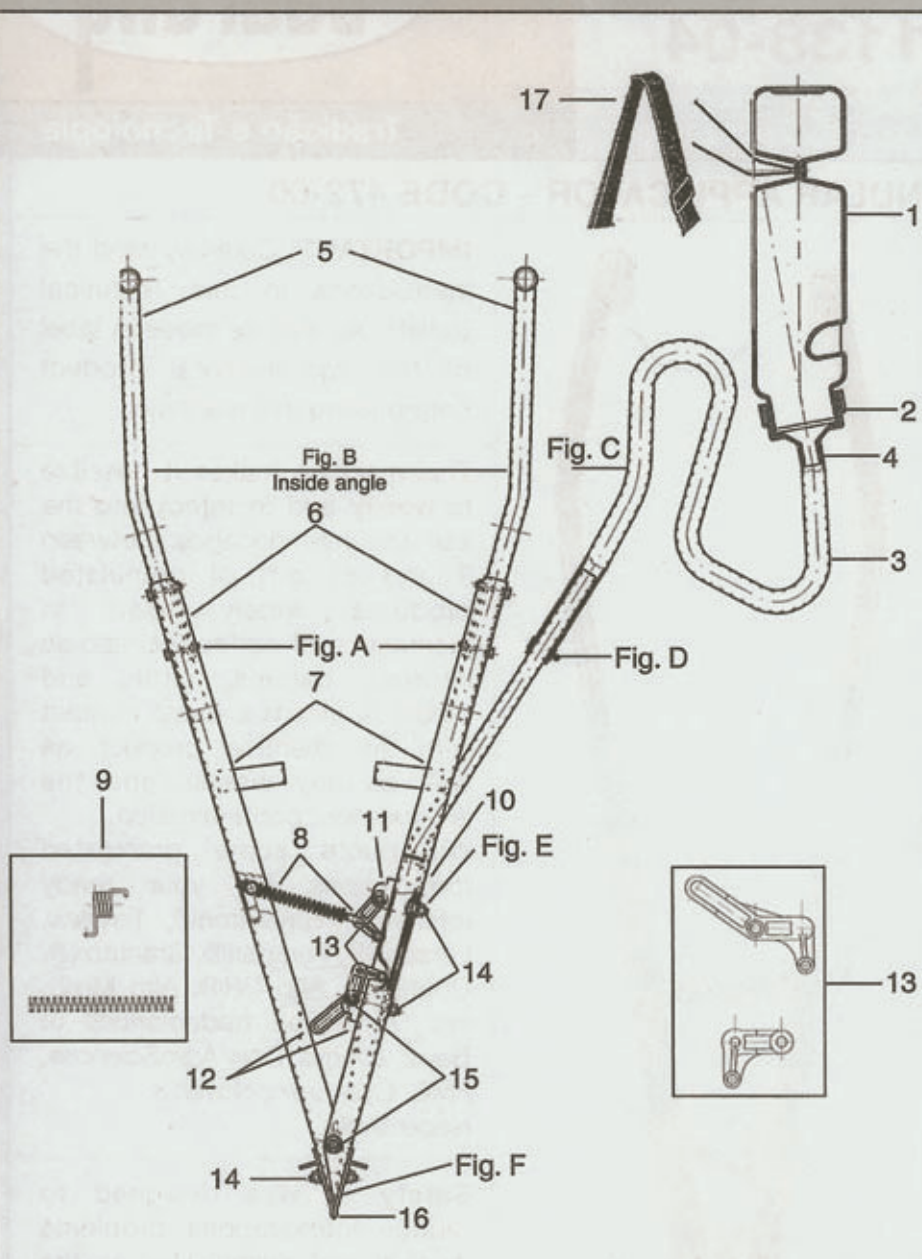
Practical: light and robust the chemical product is carried by the operator (backpack tank), greatly reducing the operator fatigue.

**Approximate values, depending on the product applied and the application method.*

TECHNICAL SPECIFICATIONS

- Capacity of the tank:*6.0 kg (13.2 lb.)
- Maximum dosage per operation/injection:*18 g.
- Minimum dosage per operation/injection:*3 g.
- Maximum daily application capacity (6 hours):..... *130 kg. (280 lb)
- Average quantity of operation:20/min
- Depth of injection for granulates into the ground:50 mm
- Weight (empty):3.6 kg. (8.0 lb.)
- Individual box:335x145x640 (13.2x5.7x25.2")

**Average values that can be modified according to the product in use.*



| SPARE PARTS | |
|---------------------------------|-------|
| 1 Chemical tank with lid | .4540 |
| 2 Complete lid | .4541 |
| 3 Hose | .6340 |
| 4 Clamp | .2293 |
| 5 Right and left cable | .4542 |
| 6 Cable brackets | .4543 |
| 7 Right and left structure | .4553 |
| 8 Complete operation rod | .4544 |
| 9 Rod and lever spring | .4545 |
| 10 Dosage hose | .6319 |
| 11 Complete upper lever support | .4527 |
| 12 Complete lower lever support | .4453 |
| 13 Upper and lower dosage lever | .4548 |
| 14 Support and end bolt | .4549 |
| 15 Pins and blocks set | .4550 |
| 16 Ends with bolts | .4551 |
| 17 Supporting belt | .4409 |

Always quote the code number when ordering parts.

GUARANY reserves the right to change specifications without prior notice.

- ATTENTION**
- Take great care when using agrochemicals.
 - Wear overalls, safety vest, boots, hat, gloves, respirator and goggles.
 - Wash overalls at the end of each working day.
 - Follow the instructions of the agrochemical manufacturer closely.
 - Wash the machine thoroughly before making repairs.

MAINTENANCE:

Check all bolts and nuts of the cables and ends daily for re-screwing. After each day's work remove the remaining granulated product from the tank, and then wash and lubricate the equipment.

INSTRUCTIONS FOR USE:

This granular applicator is delivered partially assembled. In order to obtain the maximum benefit, please follow the instructions below accordingly.

ASSEMBLY:

1. Fasten the cables to the structure (measurer) using the set of brackets (Fig. A), in such a way that its angle (Fig. B) faces to the inside. **ATTENTION:** when fastening the cables, regulate height by using the existing holes (4);
2. Fasten the hose (Fig. C) to the measurer inlet tube using the sliding coupling (Fig. D).

REGULATION:

1. Fill the tank with completely dry granulated insecticide. Down the tank on your back with the filling orifice (outlet) **downwards**. Fasten the supporting belts using the self-regulating buckles. **IMPORTANT:** adjust the length of the hose (Fig. C) that feeds the measurer by acting on the sliding coupling (Fig. D) so that the hose does not bend, since this could interrupt the normal flow of the product.
2. In order to adjust the quantity of product to be applied, unscrew the nut of the upper lever support (Fig. E). Pushing it away from the lower support to increase the dosage, or approaching to the lower support to reduce the dosage. **ATTENTION:** as a reference, use the graduated scale printed on the structure. Once the regulation is made, firmly screw the nut of the upper lever support (Fig. E).

APPLICATION:

Start the application in a rhythmic manner; in order to let the product penetrates into the ground 4 to 5 cm. This can be achieved by regulating the force applied to the measurer while throwing it to the ground. **ATTENTION:** When introducing the measurer into the ground, do it with the ends (Fig. F) completely closed not to let the penetration interfere with the operation and the dosage. Whenever soil accumulates between the ends, stop working and remove it completely.