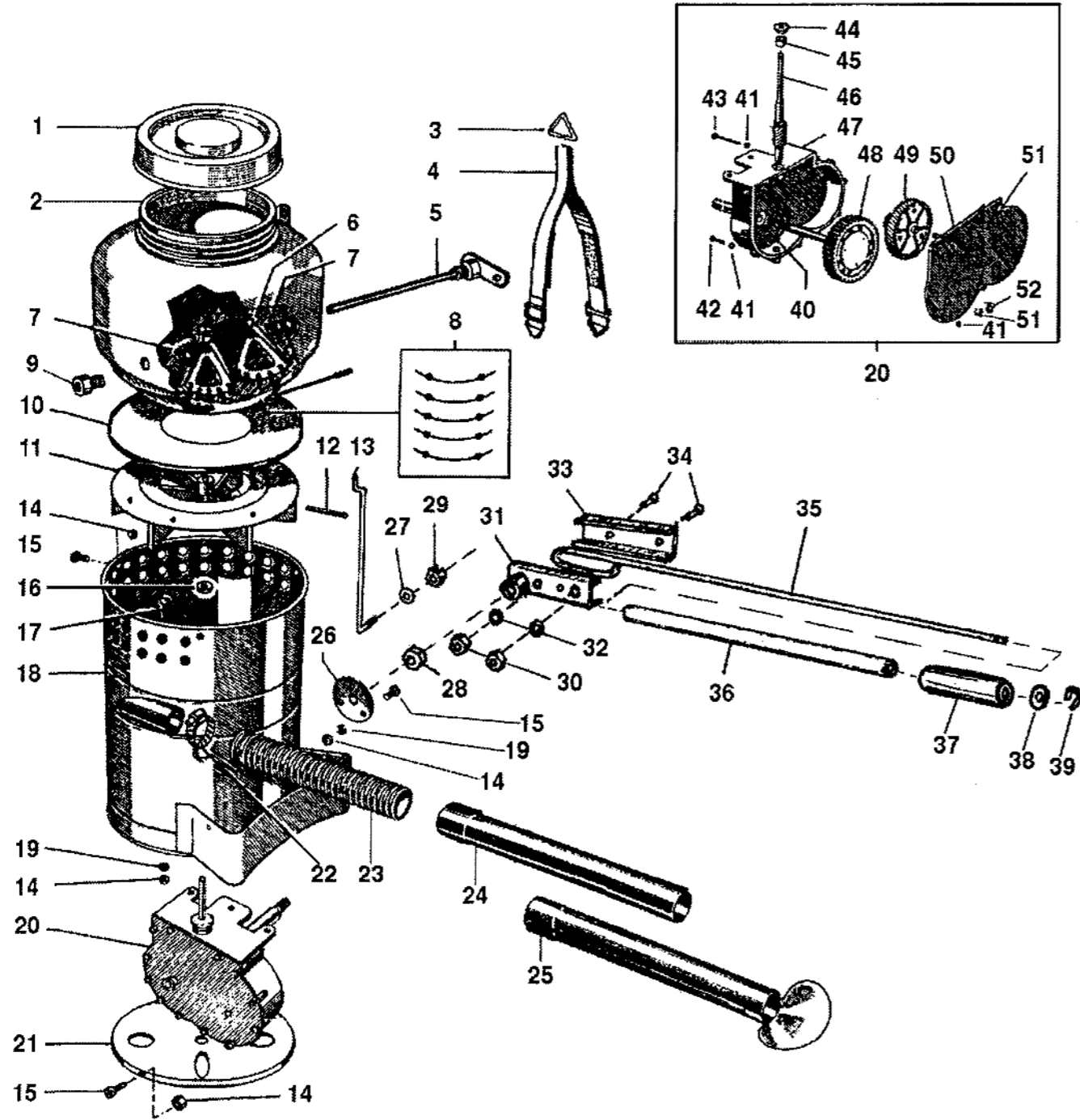


Knapsack Duster S4



Other information: see Technical Bulletin 1077-04

Code: 0411.02



ITEM	DESCRIPTION	CODE	PART/ PACK	ITEM	DESCRIPTION	CODE	PART/ PACK
1	Chemical Tank Lid	2589	1	31	Internal Lever Support	4110	1
2	Chemical Tank	9655	1	32	M6 Spring Washer	2439	6
3	Triangular Lid	3041	6	33	External Lever Support	5766	1
4	Carrying Strap	9987	1	34	Screw	5768	6
5	Agitator Shaft	9820	1	35	Flexible Lever	5767	1
6	Agitator	9821	1	36	Lever Protector	5770	1
7	3/8" Nut	2447	4	37	Handgrip	4230	1
8	Service Kit for Agitator	9823	5	38	Washer	1049	20
9	Screw	2269	2	39	Lock Ring	5773	2
10	Fan Chamber Lid	3871	1	40	Ball	3216	6
11	Fan Rotor	4241	1	41	Ø 1/8" Plain Washer	3853	6
12	Cotter Pin	3210	10	42	1/8" x 5/8" Screw	3358	10
13	Actioning Rod	5769	1	43	1/8" x 2" Screw	3851	6
14	M5 Nut	2469	6	44	Felt Washer	2278	10
15	M5 x 10mm Screw	3465	6	45	Bush	3826	1
16	Sealing Washer	3464	2	46	Complete Rotor Shaft	9659	2
17	M5 x 15mm Screw	2247	10	47	Gear Box	9232	1
18	Structure	9657	1	48	Main Gear	9640	1
19	M5 Spring Washer	1060	10	49	Helicoidal Gear	3357	1
20	Complete Transmission Box	9658	1	50	Gear Box Cover	9233	1
21	Reinforced Plate	5962	1	51	Nut	3234	6
22	Clamp	3258	2	52	Oil Plug	3852	10
23	Flexible Hose	3246	2		*Contents of Service Kit		
24	Discharge Tube	3256	1		Nylon Sweeper	9823	
25	Spreading Tube	9092	1				
26	Actioning Shaft Support	3244	2				
27	Plain Washer	3483	10				
28	Lock Nut	5691	2				
29	Self-locking Nut	5274	10				
30	M6 Nut	2438	6				