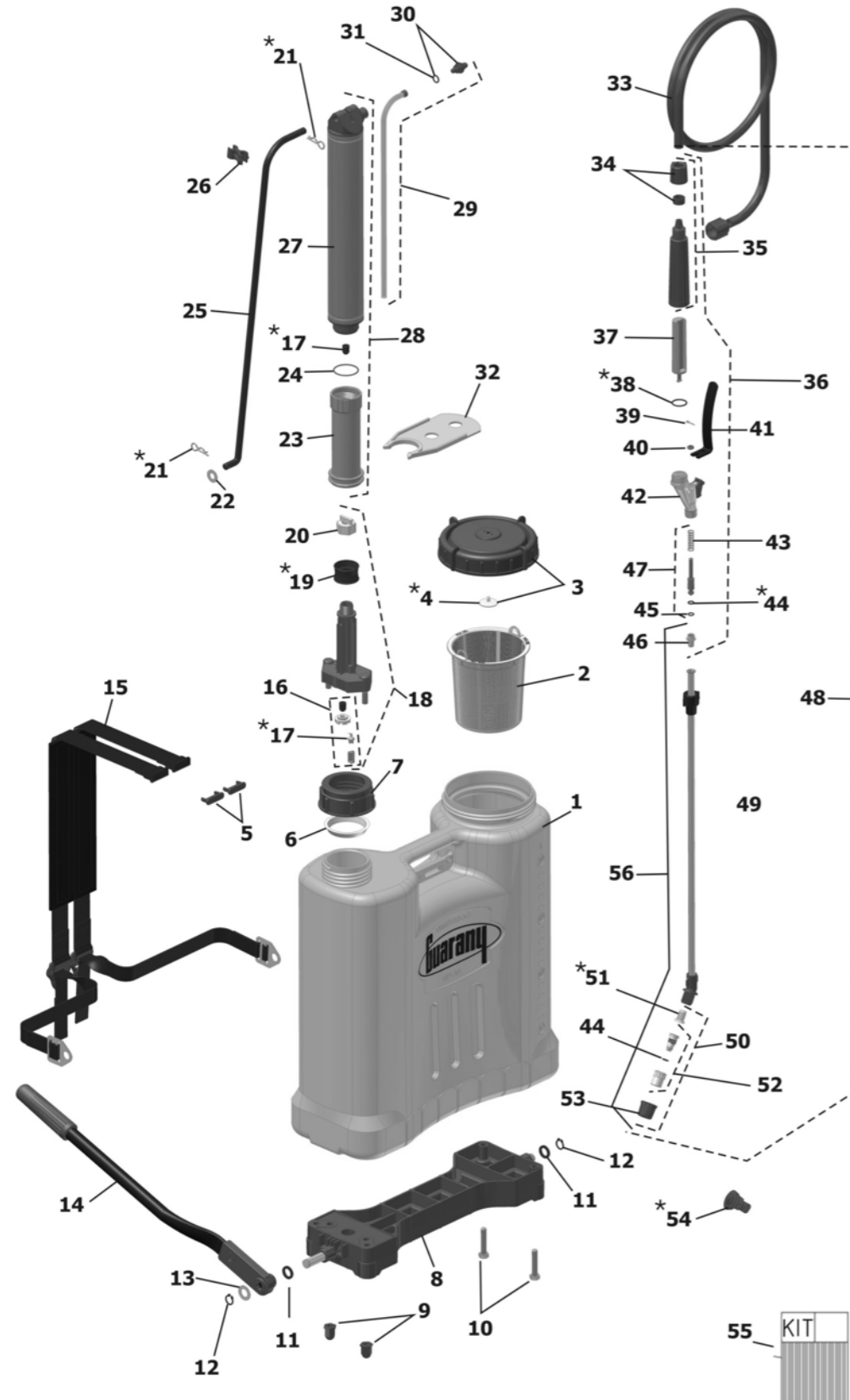


Symmetrical Knapsack Sprayer - SP



Other information: see Technical Bulletin 1135-04

Codes: 0439.03 - 16 litres
0405.11 - 20 litres



ITEM	DESCRIPTION	CODE	PART/ PACK	ITEM	DESCRIPTION	CODE	PART/ PACK
1	Chemical Tank 20L	7564	1	31	O-ring	6216	10
	Chemical Tank 16L	7569	1	32	Agitator	2998	5
2	Tank Filter	7563	1	33	Hose 8x1300mm	4427	1
3	Chemical Tank Lid with Valve	8112	1	34	Nut and Bush	4428	2
4	Valve*	5613	6	35	Discharge Valve Cable	4426	1
5	Strap Fixing Cramp	6457	10	36	S3 Discharge Valve	4320	1
6	Plastic Gasket	1649	4	37	Filter	6270	10
7	Packing Nut	1089	2	38	O-ring*	6316	6
8	Chassis	7583	1	39	Cotter Pin	2805	10
9	Chassis Locking Nut	5852	4	40	Lever Fixer	2804	5
10	Screw M8x40	5949	4	41	S3 Valve Lever	6118	5
11	Friction Washer	1189	10	42	S3 Valve Body	9429	2
12	Retention Ring - Shaft 12 mm	3263	4	43	Spring	6452	2
13	Washer Smooth Ø13x22x1.21	3232	20	44	O-ring*	1455	10
14	Lever with Sleeve	9689	1	45	O-ring	2739	10
15	Complete Carrying Strap	8113	1	46	Sealing Cushion	9320	6
16	Cylinder Valve Set	4647	1	47	Complete Needle	8114	1
17	Semi-spherical Valve*	5066	10	48	Discharge Set	4386	1
18	Complete Rod	8110	1	49	Discharge Pipe	9119	1
19	Double Bush*	3707	10	50	Complete Adjustable Nozzle	8118	1
20	Bush Nut	3656	10	51	Filter*	1143	10
21	Cramp*	3000	6	52	Adjustable Nozzle	9717	6
22	Washer Smooth	1038	20	53	Nut	3441	4
23	Plastic Cylinder	5007	1	54	Deflect Fan Tip	5374	6
24	O-ring	6715	1	55	Service Kit	7623	1
25	Pumping Shaft	6217	1	56	Complete Lance	8115	1
26	Fastener Shaft	6349	6				
27	Pressure Chamber	4671	1				
28	Pressure Chamber	4756	1				
29	Feeding Tube	4423	1				
30	Nipple and O-ring Feeding	8119	1				

*contents of service kit.