

# Lafferty Equipment Manufacturing, Inc. Installation & Operation Instructions

Model # 950000-B · 612 Low Volume Compact Fogger

## REQUIREMENTS

Ready-to-Use Chemical Solution

**Compressed Air** up to 1.93 Nm<sup>3</sup>/hr @ 6.2 Bar

**Minimum Air Supply Line** 3/8"

## OPTIONS

**Stainless Steel Hose Racks**

Large Stainless Steel Hose Rack # 224150

Small Stainless Steel Hose Rack # 224145

**Proportioning / Filling Options 1-Way**

Ball Valve Mixing Station (4 GPM) # 985100

1-Way Push Lever Mixing Station (4 GPM) # 981100

**Additional Bottles**

Bottle, 32oz (Includes Solid Lid) # 709082

**Air Compressor**

Makita® MAC700 (120V, 3.8 CFM @ 40 PSI) # 710502

## WEIGHT & DIMENSIONS

**Single Package**

Shipping Weight 1 Kg.

Shipping Dimensions 381mm x 203mm x 127mm



THE  
**PROFESSIONAL SPRAYERS**  
PEOPLE

**WARNING! READ ALL  
INSTRUCTIONS BEFORE  
USING EQUIPMENT!**

## OVERVIEW

The 612 Low Volume Compact Fogger is a chemical atomizer that uses compressed air (1.93 Nm<sup>3</sup>/hr @ 6.2 Bar) and venturi action to draw pre-diluted chemical solution from the attached bottle, atomize the chemical, and project fog particles at distances up to 2.5 metres. The low Nm<sup>3</sup>/hr requirement of this unique fogger allows it to be used with smaller consumer-grade air compressors, including some rechargeable battery operated models.

## SAFETY & OPERATIONAL PRECAUTIONS

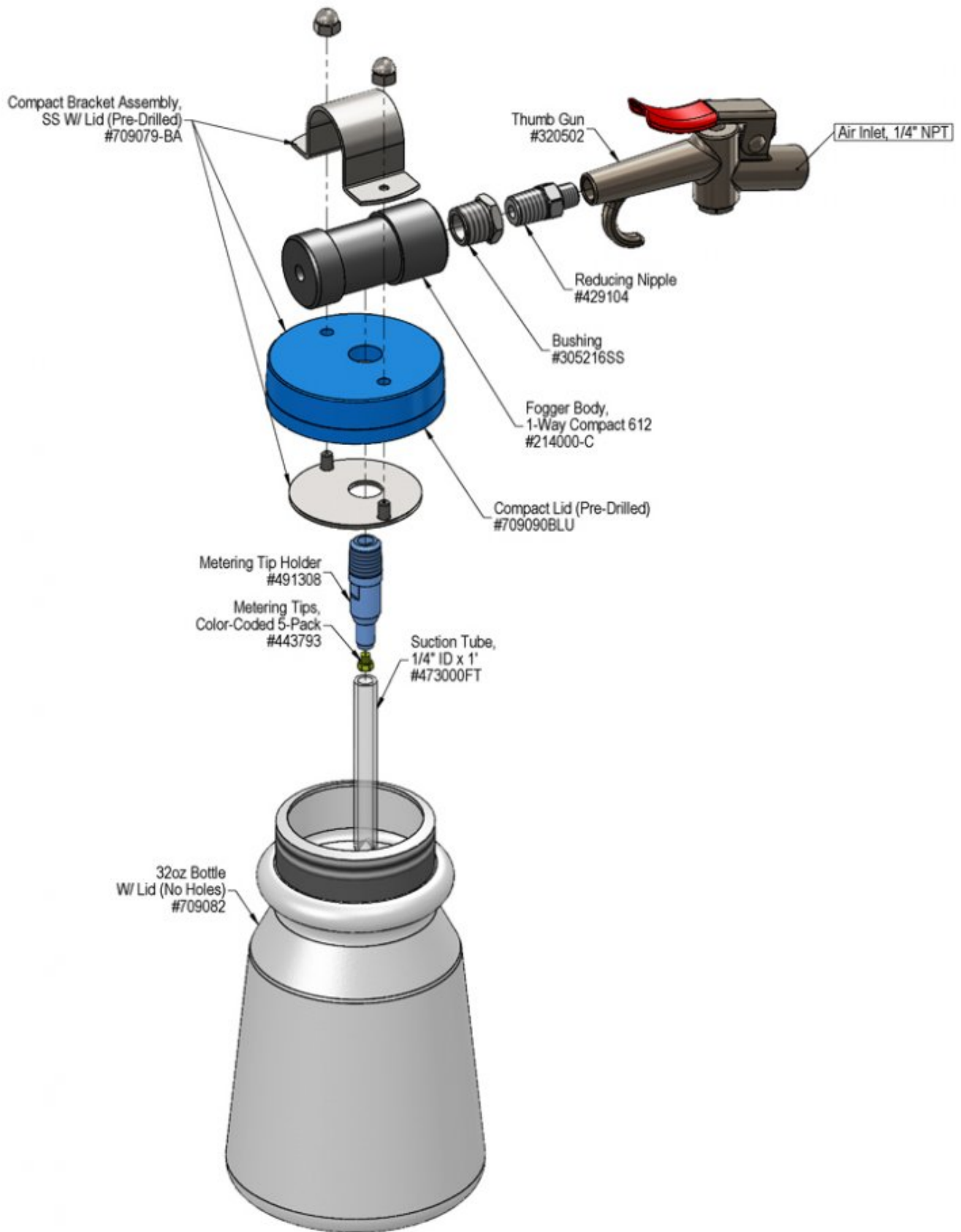
- Manufacturer assumes no liability for the use or misuse of this unit.
- Wear proper respiratory protection, protective clothing, gloves and eye-wear when working with chemicals.
- Always direct the discharge away from electrical devices.
- Follow the chemical manufacturer's safe handling instructions.
- Carefully follow chemical manufacturer's safe handling instructions and recommended precautions/practices when using flammable chemicals.
- **SPECIAL CAUTION: This fogger atomizes chemical into the air. Ensure that the area to be fogged has been evacuated of all people without proper respiratory protection!**

## TO OPERATE

**SPECIAL CAUTION: This fogger atomizes chemical into the air. Ensure that the chemical is safe to be around or the area to be fogged has been evacuated of all people and/or animals before starting fogging. Upon completion of fogging, ensure that sufficient time has elapsed for all the fog to have dissipated before returning to the area.**

**Wear proper respiratory protection, protective clothing, gloves and eye-wear when working with chemicals**

1. Unscrew the bottle, fill with ready-to-use chemical, and re-attach.
  - Don't over-tighten the bottle.
2. Connect the inlet to a compressed airline.
3. Direct the discharge in a safe direction. Press thumb gun lever (or completely open ball valve) to begin application.
4. When application is complete, release the thumb gun lever (or close ball valve).
5. The fogger may produce more fog volume than needed.
6. If fog is too dense (wet), metering tips are included to restrict the chemical volume to produce a lighter (drier) fog.
7. Make final metering tip adjustments based on application results. Try the next larger sized metering tip until the results are acceptable.



## Troubleshooting Guide

Problem	Possible Cause / Solution	
	Startup	Maintenance
A) Fogger will not draw chemical or is sputtering	1, 2, 3, 4	6, 7, 8
B) Fog is too wet	1, 4	5

Possible Cause / Solution	
Startup	Maintenance
<ol style="list-style-type: none"> <li><b>1. Air line too small, not enough air pressure or volume</b> <ul style="list-style-type: none"> <li>◦ See REQUIREMENTS, page 1.</li> </ul> </li> <li><b>2. Air pressure too high.</b> <ul style="list-style-type: none"> <li>◦ Slightly close the air supply valve to lower the pressure by lowering the volume until the fogger smooths out.</li> </ul> </li> <li><b>3. Chemical tube kinked or not immersed in chemical or chemical depleted.</b> <ul style="list-style-type: none"> <li>◦ Straighten tube / replenish chemical</li> </ul> </li> <li><b>4. Drawing too much solution</b> <ul style="list-style-type: none"> <li>◦ Install optional metering tip</li> </ul> </li> </ol>	<ol style="list-style-type: none"> <li><b>5. Pin hole or cut in suction tube</b> <ul style="list-style-type: none"> <li>◦ Replace suction tube.</li> </ul> </li> <li><b>6. Chemical tube clogged up</b> <ul style="list-style-type: none"> <li>◦ Clean or replace</li> </ul> </li> <li><b>7. Metering tip or metering tip holder clogged</b> <ul style="list-style-type: none"> <li>◦ Clean or replace metering tip and/or metering tip holder.</li> </ul> </li> <li><b>8. Debris clogging the fogger inlet jets</b> <ul style="list-style-type: none"> <li>◦ Disconnect air supply, remove fogger bodies and visually inspect; remove debris from fogger inlet.</li> </ul> </li> </ol>

**PREVENTIVE MAINTENANCE:** When the unit will be out of service for extended periods, place chemical tube(s) in water and flush the chemical out of the unit to help prevent chemical from drying out and causing build-up. Periodically check and clean chemical strainer and replace if missing.

# Lafferty Equipment Manufacturing, Inc. Installation & Operation Instructions

Model # 950001-B · 633 Compact Fogger

## REQUIREMENTS

Ready-to-Use Chemical Solution

**Compressed Air** up to 4.8 Nm<sup>3</sup>/hr @ 5.5 Bar

**Minimum Air Supply Line** 3/8"

## OPTIONS

**Stainless Steel Hose Racks**

Large Stainless Steel Hose Rack # 224150

Small Stainless Steel Hose Rack # 224145

**Proportioning / Filling Options**

1-Way Ball Valve Mixing Station (4 GPM) # 985100

1-Way Push Lever Mixing Station (4 GPM) # 981100

**Additional Bottles**

Bottle, 32oz (Includes Solid Lid) # 709082

## WEIGHT & DIMENSIONS

**Single Package**

Shipping Weight 2 lbs.

Shipping Dimensions 7" x 7" x 7"



THE  
**PROFESSIONAL SPRAYERS**  
PEOPLE

**WARNING! READ ALL  
INSTRUCTIONS BEFORE  
USING EQUIPMENT!**

## OVERVIEW

The 633 Compact Fogger is a chemical atomizer that uses compressed air (4.8 Nm<sup>3</sup>/hr @ 5.5 Bar) to draw pre-diluted chemical solution from the attached bottle, atomize the chemical, and project it as small to medium sized fog particles at distances up to 4.5 metres.

**SAFETY & OPERATIONAL PRECAUTIONS**

- Manufacturer assumes no liability for the use or misuse of this unit.
- Wear proper respiratory protection, protective clothing, gloves and eye-wear when working with chemicals.
- Always direct the discharge away from electrical devices.
- Follow the chemical manufacturer's safe handling instructions.
- Carefully follow chemical manufacturer's safe handling instructions and recommended precautions/practices when using flammable chemicals.
- **SPECIAL CAUTION: This fogger atomizes chemical into the air. Ensure that the area to be fogged has been evacuated of all people without proper respiratory protection!**

**TO OPERATE**

**SPECIAL CAUTION: This fogger atomizes chemical into the air. Ensure that the chemical is safe to be around or the area to be fogged has been evacuated of all people and/or animals before starting fogging. Upon completion of fogging, ensure that sufficient time has elapsed for all the fog to have dissipated before returning to the area. Wear proper respiratory protection, protective clothing, gloves and eye-wear when working with chemicals**

1. Unscrew the bottle, add ready to use chemical bottle and re-attach.
2. Don't over tighten.
3. Connect the trigger gun to a compressed airline.
4. Direct the discharge in a safe direction. Pull the trigger to begin application.
5. When application is complete, release the trigger.
6. The fogger may produce more fog volume than needed.
7. If fog is too dense, metering tips are included for restricting the solution volume to produce a lighter fog.
8. Make final metering tip adjustments based on application results. Try the next larger sized metering tip until the results are acceptable.

**COMPACT 633 1-WAY FOGGER**

PROJECT MEDIUM TO SMALL FOG

PARTICLES UP TO 4.5 Metres.

**COMPRESSED AIR FLOW (Nm<sup>3</sup>/hr)**

PLUMES	4.1 Bar	5.5 Bar
1-Way	4.8	6.0

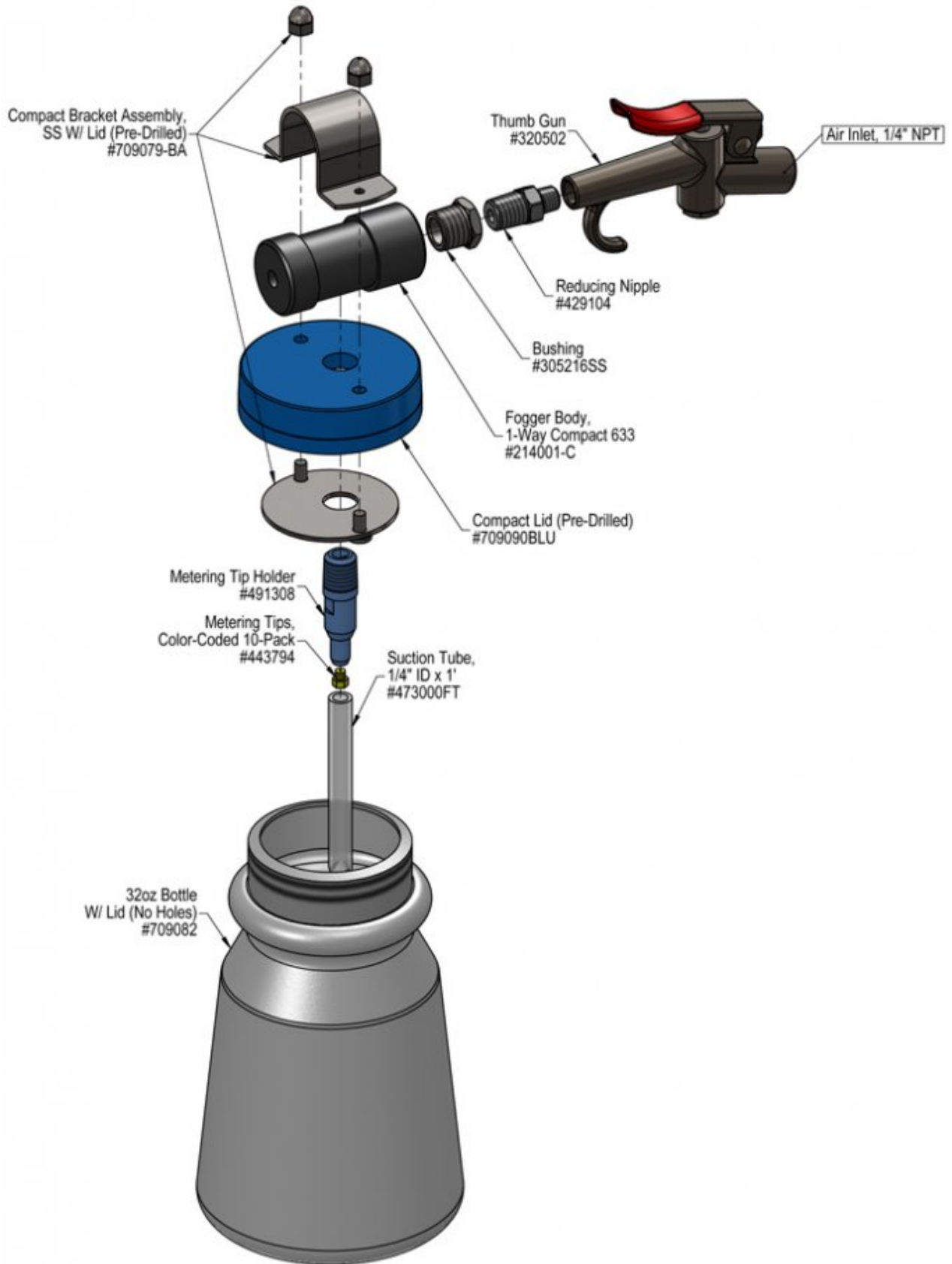
**CHEMICAL SOLUTION DRAW RATE (FL-OZ/MIN)**

DISTANCE	4.1 Bar	5.5 Bar
Hand Held	0.39	0.41

**METERING TIP SELECTION**

METERING TIP COLOR	Litres PER MIN
Brown	0.017
Clear	0.026
Bright Purple	0.044
White	0.064
Pink	0.087
Corn Yellow	0.112
Dark Green	0.144
Orange	0.171
Gray	0.178
Light Green	0.207

The litres/min shown are approximate values. Due to chemical viscosity, actual litres /min may vary.



## Troubleshooting Guide

Problem	Possible Cause / Solution	
	Startup	Maintenance
A) Fogger will not draw chemical or is sputtering	1, 2, 3, 4	6, 7, 8
B) Fog is too wet	1, 4	5

Possible Cause / Solution	
Startup	Maintenance
<ol style="list-style-type: none"> <li><b>1. Air line too small, not enough air pressure or volume</b> <ul style="list-style-type: none"> <li>◦ See REQUIREMENTS, page 1.</li> </ul> </li> <li><b>2. Air pressure too high.</b> <ul style="list-style-type: none"> <li>◦ Slightly close the air supply valve to lower the pressure by lowering the volume until the fogger smooths out.</li> </ul> </li> <li><b>3. Chemical tube kinked or not immersed in chemical or chemical depleted.</b> <ul style="list-style-type: none"> <li>◦ Straighten tube / replenish chemical</li> </ul> </li> <li><b>4. Drawing too much solution</b> <ul style="list-style-type: none"> <li>◦ Install optional metering tip</li> </ul> </li> </ol>	<ol style="list-style-type: none"> <li><b>5. Pin hole or cut in suction tube</b> <ul style="list-style-type: none"> <li>◦ Replace suction tube.</li> </ul> </li> <li><b>6. Chemical tube clogged up</b> <ul style="list-style-type: none"> <li>◦ Clean or replace</li> </ul> </li> <li><b>7. Metering tip or metering tip holder clogged</b> <ul style="list-style-type: none"> <li>◦ Clean or replace metering tip and/or metering tip holder.</li> </ul> </li> <li><b>8. Debris clogging the fogger inlet jets</b> <ul style="list-style-type: none"> <li>◦ Disconnect air supply, remove fogger bodies and visually inspect; remove debris from fogger inlet.</li> </ul> </li> </ol>

**PREVENTIVE MAINTENANCE:** When the unit will be out of service for extended periods, place chemical tube(s) in water and flush the chemical out of the unit to help prevent chemical from drying out and causing build-up. Periodically check and clean chemical strainer and replace if missing.





# Lafferty Equipment Manufacturing, Inc. Installation & Operation Instructions

Model # 950101-B · 305 Compact Fogger

## REQUIREMENTS

Ready-to-Use Chemical Solution

**Compressed Air** up to 11.9 Nm<sup>3</sup>/hr @ 5.5 Bar

**Minimum Air Supply Line** 3/8"

## OPTIONS

**Stainless Steel Hose Racks**

Large Stainless Steel Hose Rack # 224150

Small Stainless Steel Hose Rack # 224145

**Proportioning / Filling Options**

1-Way Ball Valve Mixing Station (4 GPM) # 985100

1-Way Push Lever Mixing Station (4 GPM) # 981100

**Additional Bottles**

Bottle, 32oz (Includes Solid Lid) # 709082

## WEIGHT & DIMENSIONS

**Single Package**

Shipping Weight 1 Kg.

Shipping Dimensions 381mm x 203mm x 127mm



THE  
**PROFESSIONAL SPRAYERS**  
PEOPLE

**WARNING! READ ALL  
INSTRUCTIONS BEFORE  
USING EQUIPMENT!**

## OVERVIEW

The 305 Compact Fogger is a chemical atomizer that uses compressed air (7.4 CFM @ 80 PSI) to draw pre-diluted chemical solution from the attached bottle, atomize the chemical, and project it as light, "damp" fog particles at distances up to 25 feet.

**SAFETY & OPERATIONAL PRECAUTIONS**

- Manufacturer assumes no liability for the use or misuse of this unit.
- Wear proper respiratory protection, protective clothing, gloves and eye-wear when working with chemicals.
- Always direct the discharge away from electrical devices.
- Follow the chemical manufacturer's safe handling instructions.
- Carefully follow chemical manufacturer's safe handling instructions and recommended precautions/practices when using flammable chemicals.
- **SPECIAL CAUTION: This fogger atomizes chemical into the air. Ensure that the area to be fogged has been evacuated of all people without proper respiratory protection!**

**TO OPERATE**

**SPECIAL CAUTION: This fogger atomizes chemical into the air. Ensure that the chemical is safe to be around or the area to be fogged has been evacuated of all people and/or animals before starting fogging. Upon completion of fogging, ensure that sufficient time has elapsed for all the fog to have dissipated before returning to the area.**

**Wear proper respiratory protection, protective clothing, gloves and eye-wear when working with chemicals**

1. Unscrew the bottle, fill with ready-to-use chemical, and re-attach.
  - Don't over-tighten the bottle.
2. Connect the inlet to a compressed airline.
3. Direct the discharge in a safe direction. Press thumb gun lever (or completely open ball valve) to begin application.
4. When application is complete, release the thumb gun lever (or close ball valve).
5. The fogger may produce more fog volume than needed.
6. If fog is too dense (wet), metering tips are included to restrict the chemical volume to produce a lighter (drier) fog.
7. Make final metering tip adjustments based on application results. Try the next larger sized metering tip until the results are acceptable.

**COMPACT 305 1-WAY FOGGER**

PRODUCE MEDIUM FOG PARTICLES AND PROJECT A LIGHTER, "DAMP" MIST UP TO 25 FEET.

**COMPRESSED AIR FLOW (Nm<sup>3</sup>/hr)**

PLUMES	4.1 Bar	5.5 Bar
1-Way	9.0	11.9

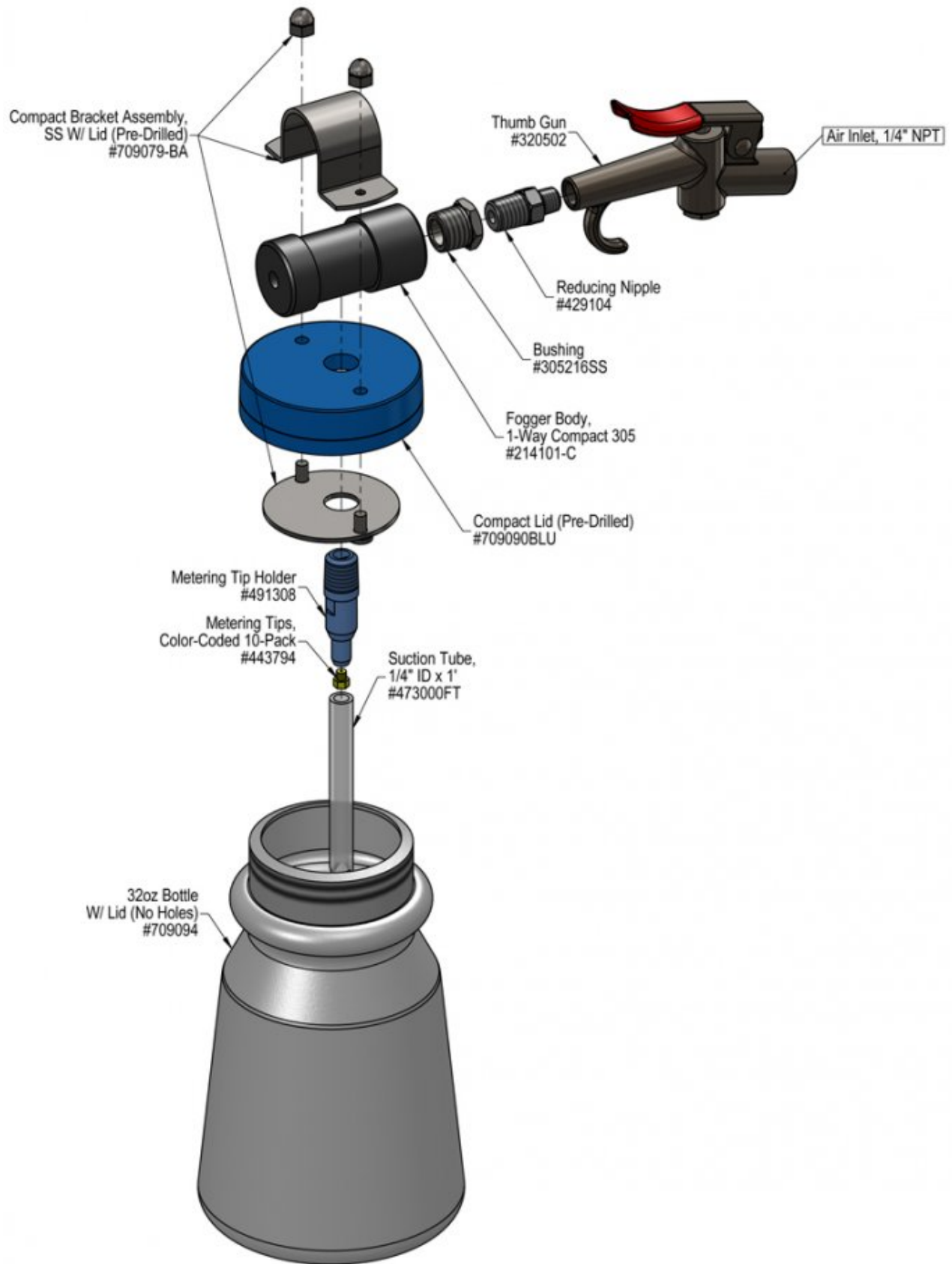
**CHEMICAL SOLUTION DRAW RATE (FL-OZ/MIN)**

DISTANCE	4.1 Bar	5.5 Bar
Hand Held	16.4	18.6

**METERING TIP SELECTION**

METERING TIP COLOR	Litres PER MIN
Brown	0.017
Clear	0.026
Bright Purple	0.044
White	0.064
Pink	0.087
Corn Yellow	0.112
Dark Green	0.144
Orange	0.171
Gray	0.178
Light Green	0.207

The litres/min shown are approximate values. Due to chemical viscosity, actual litres /min may vary.



## Troubleshooting Guide

Problem	Possible Cause / Solution	
	Startup	Maintenance
A) Fogger will not draw chemical or is sputtering	1, 2, 3, 4	6, 7, 8
B) Fog is too wet	1, 4	5

Possible Cause / Solution	
Startup	Maintenance
<ol style="list-style-type: none"> <li><b>1. Air line too small, not enough air pressure or volume</b> <ul style="list-style-type: none"> <li>◦ See REQUIREMENTS, page 1.</li> </ul> </li> <li><b>2. Air pressure too high.</b> <ul style="list-style-type: none"> <li>◦ Slightly close the air supply valve to lower the pressure by lowering the volume until the fogger smooths out.</li> </ul> </li> <li><b>3. Chemical tube kinked or not immersed in chemical or chemical depleted.</b> <ul style="list-style-type: none"> <li>◦ Straighten tube / replenish chemical</li> </ul> </li> <li><b>4. Drawing too much solution</b> <ul style="list-style-type: none"> <li>◦ Install optional metering tip</li> </ul> </li> </ol>	<ol style="list-style-type: none"> <li><b>5. Pin hole or cut in suction tube</b> <ul style="list-style-type: none"> <li>◦ Replace suction tube.</li> </ul> </li> <li><b>6. Chemical tube clogged up</b> <ul style="list-style-type: none"> <li>◦ Clean or replace</li> </ul> </li> <li><b>7. Metering tip or metering tip holder clogged</b> <ul style="list-style-type: none"> <li>◦ Clean or replace metering tip and/or metering tip holder.</li> </ul> </li> <li><b>8. Debris clogging the fogger inlet jets</b> <ul style="list-style-type: none"> <li>◦ Disconnect air supply, remove fogger bodies and visually inspect; remove debris from fogger inlet.</li> </ul> </li> </ol>

**PREVENTIVE MAINTENANCE:** When the unit will be out of service for extended periods, place chemical tube(s) in water and flush the chemical out of the unit to help prevent chemical from drying out and causing build-up. Periodically check and clean chemical strainer and replace if missing.