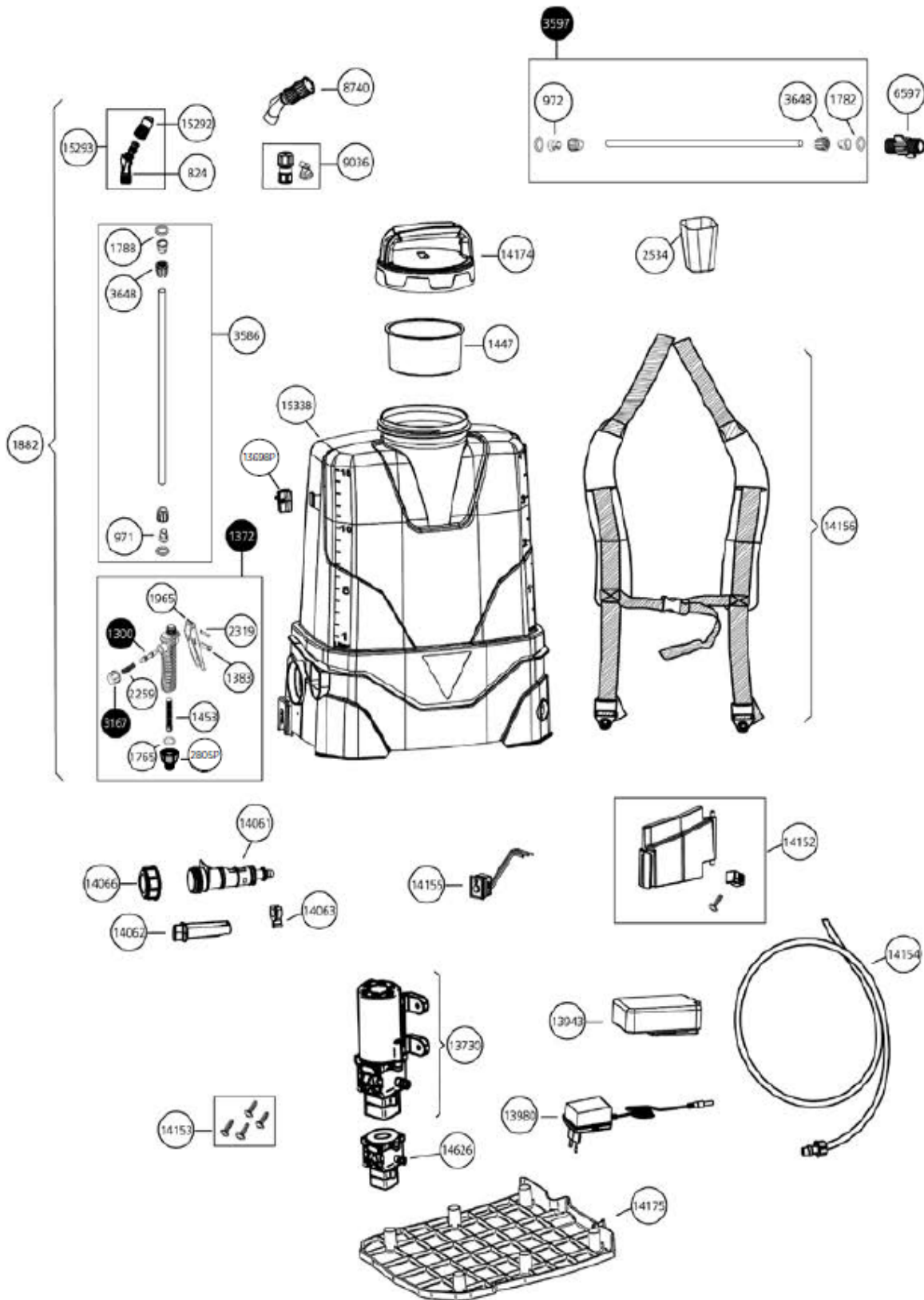


Pulmic Pegasus 15



824	Elbow (sprayer) with o-ring
971	Cone Ø10
972	Cone Ø8
1300	Grip shaft with gaskets
1372	Handle (complete)
1383	Handgrip fixer
1447	Raptor 16 load filter
1453	Handgrip filter
1765	NBR toric gasket
1782	NBR 7.52x3.53 O-ring
1788	O-ring NBR 9.13x2.62
1882	Complete lance
1965	Handle lever
2259	Handle spring
2319	Grip pin
2805P	Handgrip Racor
3167	Cap with toric
3586	Fiber tube Ø10*62 cm C/Nuts
3597	Telex splicing racord 8-10
3648	Conical nut
6597	Telex splicing racord 8-10
8740	Elbow with adjustable nozzle 4 outputs
9036	Herbicide nozzle set G.A. yellow
13698P	Pegasus 15 fixing lance
13730	Membrane pump 12V 2.2 L/min 1.5A
13943	Lithium battery 18 V 2600 MAH
13980	21V 1 AH charger
14061	Filter holder
14062	Suction filter
14063	Filter holder clip
14066	Empty plug with gasket
14152	Battery cover set
14153	Screw kit with washer
14154	Supply hose
14155	Control unit
14156	Anatomical strap
14174	Cover cap
14175	Lower cap
14626	Pump head
15338	15L tank
15292	Red adjustable nozzle



THE
PROFESSIONAL SPRAYERS
PEOPLE